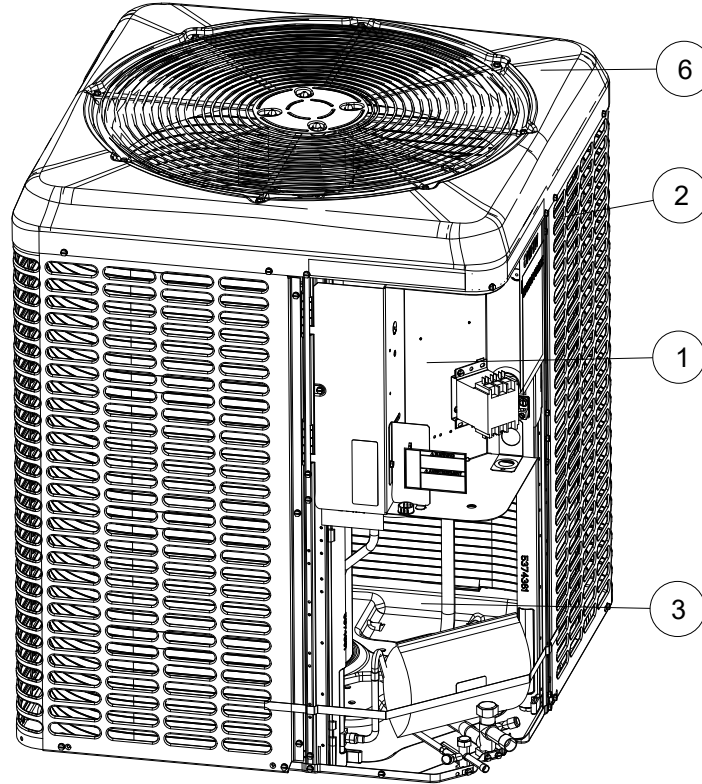


## YC2D SERIES - 13.4 SEER MICROCHANNEL AIR CONDITIONER - R410A

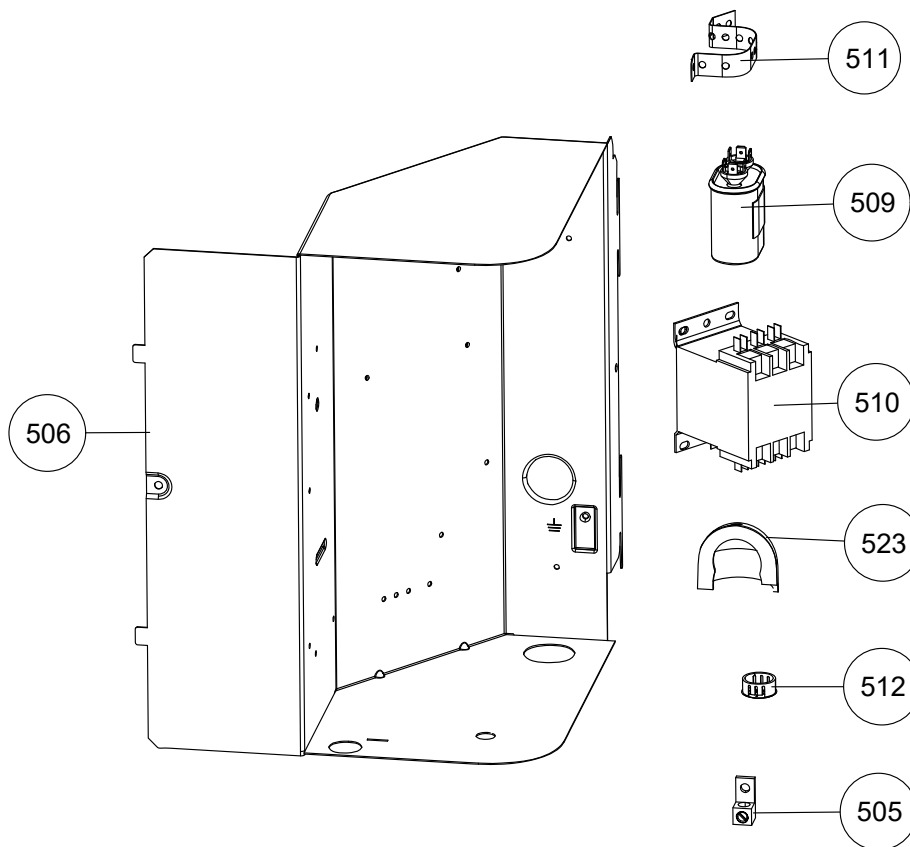
## REPAIR PARTS LIST

PRINTED DATE: 4/8/2024

The information provided to you may include Johnson Controls' trade secrets, intellectual property, and confidential business information (including its Bill of Materials), and this information is to be kept in the strictest confidence and not to be disclosed to any third party without the prior written consent of Johnson Controls.



| Section | Description                              |
|---------|--|
| 1       | ELECTRICAL BOX / CONTROLS                |
| 2       | SHEET METAL / CABINET PARTS              |
| 3       | REFRIGERATION SYSTEM                     |
| 6       | ROOF ASSEM / OUTDOOR FAN AND MOTOR PARTS |
| 8       | MISCELLANEOUS                            |
| 9       | WIRING DIAGRAMS / VFD PARAMETERS         |
| 10      | HARNESSES                                |



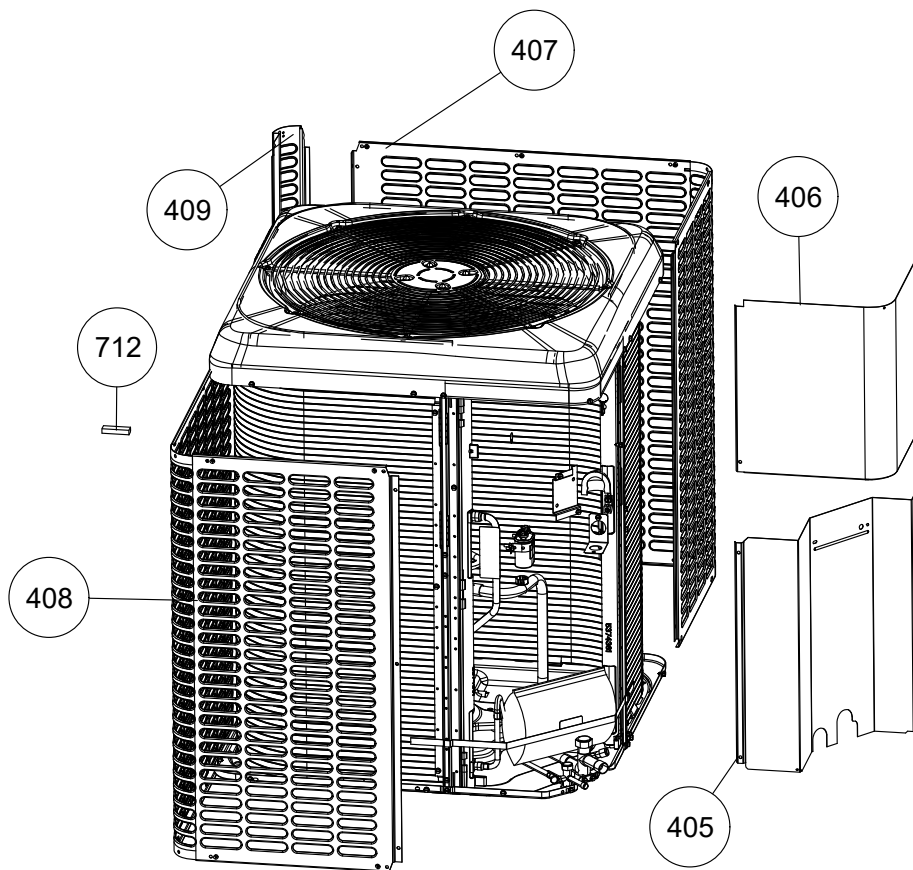
**Section : ELECTRICAL BOX / CONTROLS**

| Section | Callout | Replacement Part # | Description                              | Original Part # | YC2D18S B21S | YC2D24S B21S | YC2D24S B21SX | YC2D30S B21S | YC2D36S B21S |
|---------|---------|--------------------|--|-----------------|--------------|--------------|---------------|--------------|--------------|
| 1       | 505     | S1-02521798000     | LUG,GROUND,ELECTRICAL ALUMINUM 1.06 X .5 | S1-02521798000  | 1            | 1            | 1             | 1            | 1            |
| 1       | 506     | S1-07339396001     | CONTROL-BOX,SMALL                        | S1-07339396001  | 1            | 1            | 1             | 1            |              |
| 1       | 506     | S1-07339486001     | CONTROL BOX,LARGE                        | S1-07339486001  |              |              |               |              | 1            |
| 1       | 509     | S1-02425120700     | CAP,RUN DUAL,45/5MFD,440V,ROUND          | S1-02425120700  |              |              |               |              | 1            |
| 1       | 509     | S1-02425894700     | CAP,RUN DUAL,40/5MFD,440V,ROUND          | S1-02425894700  | 1            | 1            | 1             | 1            |              |
| 1       | 510     | S1-02427531000     | CNTCTR 1 POLE W/SHUNT,30A,24V            | S1-02427531000  | 1            | 1            | 1             | 1            | 1            |
| 1       | 523     | S1-02817106000     | GASKET,RAIN HOOD,PLASTIC                 | S1-02817106000  | 1            | 1            | 1             | 1            | 1            |

| Section | Callout | Replacement Part # | Description                              | Original Part # | YC2D42S B21S | YC2D48S B21S | YC2D60S B21S |  |  |
|---------|---------|--------------------|--|-----------------|--------------|--------------|--------------|--|--|
| 1       | 505     | S1-02521798000     | LUG,GROUND,ELECTRICAL ALUMINUM 1.06 X .5 | S1-02521798000  | 1            | 1            | 1            |  |  |
| 1       | 506     | S1-07339486001     | CONTROL BOX,LARGE                        | S1-07339486001  | 1            | 1            | 1            |  |  |
| 1       | 509     | S1-02425120700     | CAP,RUN DUAL,45/5MFD,440V,ROUND          | S1-02425120700  | 1            |              |              |  |  |
| 1       | 509     | S1-02435844000     | CAP,RUN DUAL,70/5MFD,440V,ROUND          | S1-02435844000  |              | 1            | 1            |  |  |
| 1       | 510     | S1-02425837700     | CNTCTR,ELECTRICAL,SPNO,40 A,24V          | S1-02425837700  |              |              | 1            |  |  |

|   |     |                |                                  |                        |   |   |   |  |  |
|---|-----|----------------|----------------------------------|------------------------|---|---|---|--|--|
| 1 | 510 | S1-02427531000 | CNTCTR 1 POLE<br>W/SHUNT,30A,24V | S1-<br>02427531<br>000 | 1 | 1 |   |  |  |
| 1 | 523 | S1-02817106000 | GASKET,RAIN HOOD,PLASTIC         | S1-<br>02817106<br>000 | 1 | 1 | 1 |  |  |

Suggested stocking items are shown with shaded item number.



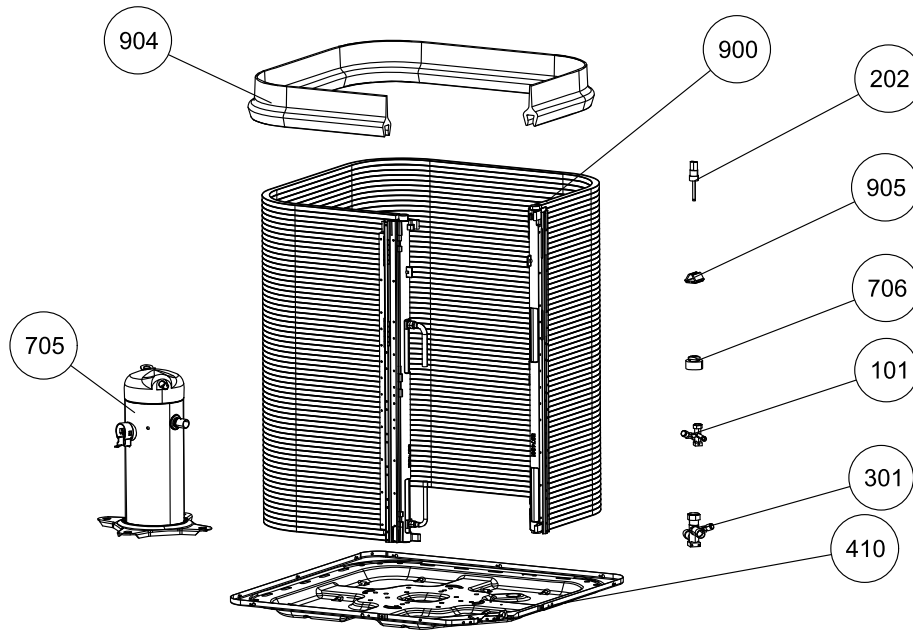
Section : SHEET METAL / CABINET PARTS

| Section | Callout | Replacement Part # | Description                             | Original Part # | YC2D18S B21S | YC2D24S B21S | YC2D24S B21SX | YC2D30S B21S | YC2D36S B21S |
|---------|---------|--------------------|---|-----------------|--------------|--------------|---------------|--------------|--------------|
| 2       | 405     | S1-07339399001     | PNL,BLOCK-OFF,SM,29,CHAMPAGNE           | S1-07339399001  |              | 1            | 1             | 1            |              |
| 2       | 405     | S1-07339399009     | PANEL,BLOCK-OFF,LG,26 INCH,CHAMPAGNE    | S1-07339399009  |              |              |               |              | 1            |
| 2       | 405     | S1-07339399022     | PANEL,BLOCK-OFF,SMALL,26 INCH,CHAMPAGNE | S1-07339399022  | 1            |              |               |              |              |
| 2       | 406     | S1-07339400001     | COVER,CONTROL BOX,SM,CHAMPAGNE          | S1-07339400001  | 1            | 1            | 1             | 1            |              |
| 2       | 406     | S1-07339400004     | COVER,CONTROL BOX,LG,CHAMPAGNE          | S1-07339400004  |              |              |               |              | 1            |
| 2       | 407     | S1-07339398001     | PNL,COIL GUARD,A-BASE,29 INCH,CHAMPAGNE | S1-07339398001  |              | 2            | 2             | 2            |              |
| 2       | 407     | S1-07339398003     | PNL,COIL GUARD,B-BASE,26 INCH,CHAMPAGNE | S1-07339398003  |              |              |               |              | 2            |
| 2       | 407     | S1-07339398036     | PNL,COILGUARD,A-BASE,26 INCH,CHAMPAGNE  | S1-07339398036  | 2            |              |               |              |              |
| 2       | 409     | S1-07339401001     | CORNER POST,26,CHAMPAGNE                | S1-07339401001  | 1            |              |               |              | 1            |
| 2       | 409     | S1-07339401002     | CORNER POST,29,CHAMPAGNE                | S1-07339401002  |              | 1            | 1             | 1            |              |

| Section | Callout | Replacement Part # | Description                   | Original Part # | YC2D42S B21S | YC2D48S B21S | YC2D60S B21S |  |  |
|---------|---------|--------------------|-------------------------------|-----------------|--------------|--------------|--------------|--|--|
| 2       | 405     | S1-07339399005     | PNL,BLOCK-OFF,LG,29,CHAMPAGNE | S1-07339399005  |              | 1            |              |  |  |
| 2       | 405     | S1-07339399007     | PNL,BLOCK-OFF,LG,32,CHAMPAGNE | S1-07339399007  | 1            |              | 1            |  |  |

|   |     |                |   |                        |   |   |   |  |  |
|---|-----|----------------|---|------------------------|---|---|---|--|--|
| 2 | 406 | S1-07339400004 | COVER,CONTROL<br>BOX,LG,CHAMPAGNE           | S1-<br>07339400<br>004 | 1 | 1 | 1 |  |  |
| 2 | 407 | S1-07339398005 | PNL,COIL GUARD,B-BASE,32<br>INCH,CHAMPAGNE  | S1-<br>07339398<br>005 | 2 |   |   |  |  |
| 2 | 407 | S1-07339398007 | PNL,COIL GUARD,C-BASE,29<br>IN,CHAMPAGNE,RH | S1-<br>07339398<br>007 |   | 1 |   |  |  |
| 2 | 407 | S1-07339398011 | PNL,COIL GUARD,D-BASE,32<br>IN,CHAMPAGNE,RH | S1-<br>07339398<br>011 |   |   | 1 |  |  |
| 2 | 408 | S1-07339398009 | PNL,COIL GUARD,C-BASE,29<br>IN,CHAMPAGNE,LH | S1-<br>07339398<br>009 |   | 1 |   |  |  |
| 2 | 408 | S1-07339398013 | PNL,COIL GUARD,D-BASE,32<br>IN,CHAMPAGNE,LH | S1-<br>07339398<br>013 |   |   | 1 |  |  |
| 2 | 409 | S1-07339401002 | CORNER<br>POST,29,CHAMPAGNE                 | S1-<br>07339401<br>002 |   | 1 |   |  |  |
| 2 | 409 | S1-07339401003 | CORNER<br>POST,32,CHAMPAGNE                 | S1-<br>07339401<br>003 | 1 |   | 1 |  |  |

Suggested stocking items are shown with shaded item number.



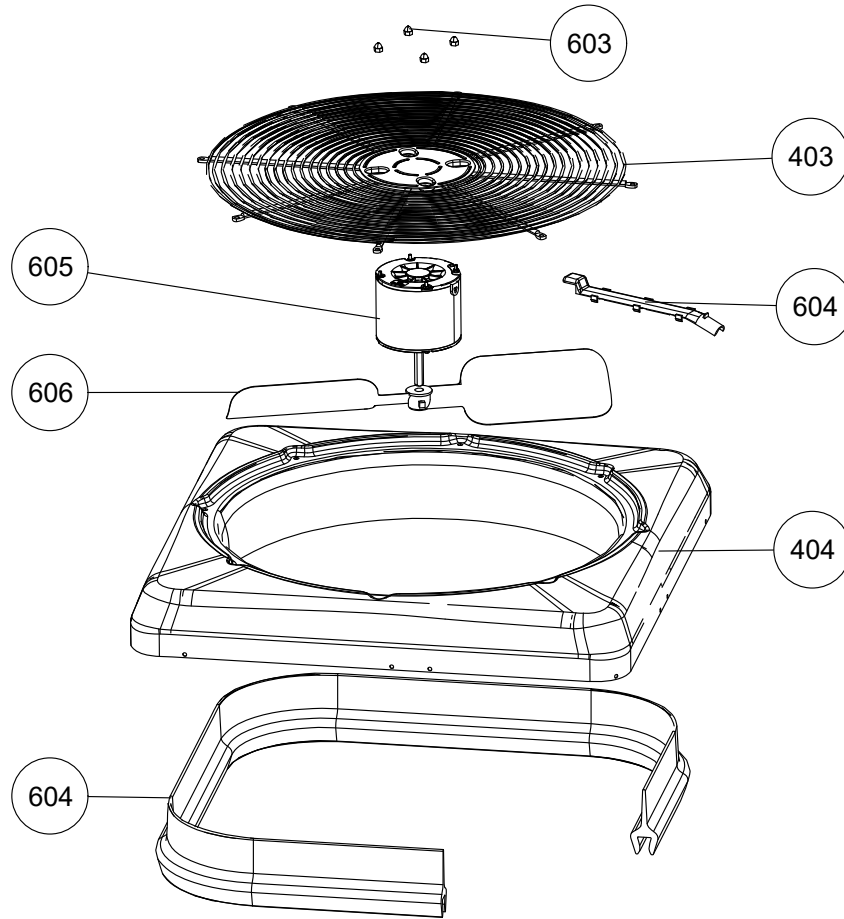
## Section : REFRIGERATION SYSTEM

| Section | Callout | Replacement Part # | Description                          | Original Part # | YC2D18S B21S | YC2D24S B21S | YC2D24S B21SX | YC2D30S B21S | YC2D36S B21S |
|---------|---------|--------------------|--------------------------------------|-----------------|--------------|--------------|---------------|--------------|--------------|
| 3       | 101     | S1-02322459000     | VALVE,BASE,3/8 INCH                  | S1-02322459000  | 1            | 1            | 1             | 1            | 1            |
| 3       | 101     | S1-02322460000     | VALVE,BASE,3/4 INCH                  | S1-02322460000  | 1            | 1            |               | 1            | 1            |
| 3       | 202     | S1-02546848000     | SWITCH,PRESSURE,HIGH                 | S1-02546848000  | 1            | 1            |               | 1            | 1            |
| 3       | 410     | S1-07348977001     | BASE PAN,EA,CHAMP                    | S1-07348977001  | 1            | 1            | 1             | 1            |              |
| 3       | 410     | S1-07348980001     | BASE PAN,EB,CHAMP                    | S1-07348980001  |              |              |               |              | 1            |
| 3       | 705     | S1-01505242004     | COMPR,SCROLL,208/230-1-60,R-410A,POE | S1-01505242004  |              |              |               |              | 1            |
| 3       | 705     | S1-01505271004     | COMPR,ROTARY,208/230-1-60,R-410A,POE | S1-01505271004  | 1            |              |               |              |              |
| 3       | 705     | S1-01505272004     | COMPR,ROTARY,208/230-1-60,R-410A,POE | S1-01505272004  |              | 1            |               |              |              |
| 3       | 705     | S1-01505273004     | COMPR,ROTARY,208/230-1-60,R-410A,POE | S1-01505273004  |              |              |               | 1            |              |
| 3       | 706     | S1-02810581000     | ISOLATOR,COMPRESSOR,NEOPRENE         | S1-02810581000  |              |              |               | 4            | 4            |
| 3       | 706     | S1-02812355001     | ISOLATOR,COMPRESSOR                  | S1-02812355001  | 4            | 4            |               |              |              |
| 3       | 708     | S1-02550883000     | HARNESS,COMPRESSOR W/PLUG            | S1-02550883000  |              |              |               | 1            | 1            |
| 3       | 708     | S1-02551748000     | HARNESS,COMPRESSOR W/PLUG            | S1-02551748000  | 1            | 1            |               |              |              |
| 3       | 730     | S1-02817125000     | DAMPENER,RUBBER,DISCHARGE LINE       | S1-02817125000  |              |              |               | 1            |              |

|   |     |                |   |                |   |   |   |   |   |
|---|-----|----------------|---|----------------|---|---|---|---|---|
| 3 | 900 | S1-37339413002 | COIL,OD FORMED ASSEM,26 INCH,B-BASE     | S1-37339413002 |   |   |   |   | 1 |
| 3 | 900 | S1-37339421008 | COIL,OUTDOOR FORMED ASSEM,26IN H,A-BASE | S1-37339421008 | 1 |   |   |   |   |
| 3 | 900 | S1-37349385001 | COIL,OD FORMED ASSEM,29IN,A-BASE        | S1-37349385001 |   | 1 |   | 1 |   |
| 3 | 904 | S1-02817075000 | MOUNT,COIL,FOAM MOLDED,MC,CUT TO LENGTH | S1-02817066000 | 1 | 1 | 1 | 1 |   |
| 3 | 904 | S1-02817075000 | MOUNT,COIL,FOAM MOLDED,MC,CUT TO LENGTH | S1-02817069000 |   |   |   |   | 1 |
| 3 | 905 | S1-02817063000 | MOUNT,COIL,E                            | S1-02817063000 | 6 | 6 | 6 | 6 | 6 |

| Section | Callout | Replacement Part # | Description                             | Original Part # | YC2D42S B21S | YC2D48S B21S | YC2D60S B21S |  |  |
|---------|---------|--------------------|---|-----------------|--------------|--------------|--------------|--|--|
| 3       | 101     | S1-02322459000     | VALVE,BASE,3/8 INCH                     | S1-02322459000  | 1            | 1            | 1            |  |  |
| 3       | 101     | S1-02322461000     | VALVE,BASE,7/8 INCH                     | S1-02322461000  | 1            | 1            | 1            |  |  |
| 3       | 202     | S1-02546848000     | SWITCH,PRESSURE,HIGH                    | S1-02546848000  | 1            | 1            | 1            |  |  |
| 3       | 410     | S1-07348980001     | BASE PAN,EB,CHAMP                       | S1-07348980001  | 1            |              |              |  |  |
| 3       | 705     | S1-01504616004     | COMPR,ZP42K6E-PFV-830                   | S1-01504616004  |              | 1            |              |  |  |
| 3       | 705     | S1-01505244004     | COMPR,SCROLL,208/230-1-60,R-410A,POE    | S1-01505244004  |              |              | 1            |  |  |
| 3       | 705     | S1-01505274004     | COMPR,SCROLL,208/230-1-60,R-410A,POE    | S1-01505274004  | 1            |              |              |  |  |
| 3       | 706     | S1-02810505000     | GROMMET                                 | S1-02810505000  | 4            | 4            | 4            |  |  |
| 3       | 708     | S1-02550883000     | HARNESS,COMPRESSOR W/PLUG               | S1-02550883000  | 1            |              | 1            |  |  |
| 3       | 708     | S1-02551479000     | HARNESS,COMPRESSOR,W/PLUG               | S1-02551479000  |              | 1            |              |  |  |
| 3       | 900     | S1-37339413003     | COIL,OD FORMED ASSEM,32 INCH,B-BASE     | S1-37339413003  | 1            |              |              |  |  |
| 3       | 900     | S1-37339413004     | COIL,OD FORMED ASSEM,29 INCH,C-BASE     | S1-37339413004  |              | 1            |              |  |  |
| 3       | 900     | S1-37339413005     | COIL,OD FORMED ASSEM,32 INCH,D-BASE     | S1-37339413005  |              |              | 1            |  |  |
| 3       | 904     | S1-02817075000     | MOUNT,COIL,FOAM MOLDED,MC,CUT TO LENGTH | S1-02817069000  | 1            |              |              |  |  |
| 3       | 904     | S1-02817075000     | MOUNT,COIL,FOAM MOLDED,MC,CUT TO LENGTH | S1-02817072000  |              | 1            |              |  |  |
| 3       | 904     | S1-02817075000     | MOUNT,COIL,FOAM MOLDED,MC,CUT TO LENGTH | S1-02817075000  |              |              | 1            |  |  |
| 3       | 905     | S1-02817063000     | MOUNT,COIL,E                            | S1-02817063000  | 6            | 8            | 8            |  |  |

Suggested stocking items are shown with shaded item number.



**Section : ROOF ASSEM / OUTDOOR FAN AND MOTOR PARTS**

| Section | Callout | Replacement Part # | Description                        | Original Part # | YC2D18S B21S | YC2D24S B21S | YC2D24S B21SX | YC2D30S B21S | YC2D36S B21S |
|---------|---------|--------------------|------------------------------------|-----------------|--------------|--------------|---------------|--------------|--------------|
| 6       | 403     | S1-02647769000     | GUARD,FAN,BLACK,22 INCH (B)        | S1-02647769000  |              |              |               |              | 1            |
| 6       | 403     | S1-02649701000     | GUARD, FAN,18",BLACK               | S1-02649701000  | 1            | 1            | 1             | 1            |              |
| 6       | 404     | S1-07339395004     | TOP,CHAMPAGNE,B-BASE               | S1-07339395004  |              |              |               |              | 1            |
| 6       | 404     | S1-07339510001     | TOP,EA,CHAMPAGNE                   | S1-07339510001  | 1            | 1            | 1             | 1            |              |
| 6       | 603     | S1-36390117700     | NUT,ACORN KIT #8-32 UNC            | S1-36390117700  | 4            | 4            | 4             | 4            | 4            |
| 6       | 604     | S1-02818867000     | WIREWAY,A CABINET                  | S1-02818867000  | 1            | 1            | 1             | 1            |              |
| 6       | 604     | S1-02818868000     | WIREWAY,B CABINET                  | S1-02818868000  |              |              |               |              | 1            |
| 6       | 605     | S1-02436240000     | MTR,COND,1/4,850,CWLE,208/230V     | S1-02436240000  |              |              |               |              | 1            |
| 6       | 605     | S1-02440886000     | MTR,COND,1/8 HP,1075/1,CW,230-1-60 | S1-02440886000  | 1            | 1            | 1             | 1            |              |
| 6       | 606     | S1-02634593000     | FAN,PROP,22",CW,3-30,1/2"BORE      | S1-02634593000  |              |              |               |              | 1            |
| 6       | 606     | S1-02634754000     | FAN,PROP,18",CW,3-24,1/2"BORE      | S1-02634754000  | 1            | 1            | 1             | 1            |              |

| Section | Callout | Replacement Part # | Description                 | Original Part # | YC2D42S B21S | YC2D48S B21S | YC2D60S B21S |  |  |
|---------|---------|--------------------|-----------------------------|-----------------|--------------|--------------|--------------|--|--|
| 6       | 403     | S1-02647769000     | GUARD,FAN,BLACK,22 INCH (B) | S1-02647769000  | 1            |              |              |  |  |



|   |     |                |  |                |   |   |   |  |  |
|---|-----|----------------|--|----------------|---|---|---|--|--|
| 6 | 403 | S1-02647770000 | GUARD,FAN,BLACK,24 INCH (C)            | S1-02647770000 |   | 1 |   |  |  |
| 6 | 403 | S1-02647771000 | GUARD,FAN,BLACK,26 INCH (D)            | S1-02647771000 |   |   | 1 |  |  |
| 6 | 404 | S1-07339395004 | TOP,CHAMPAGNE,B-BASE                   | S1-07339395004 | 1 |   |   |  |  |
| 6 | 404 | S1-07339395007 | TOP,CHAMPAGNE,C-BASE                   | S1-07339395007 |   | 1 |   |  |  |
| 6 | 404 | S1-07339395010 | TOP,CHAMPAGNE,D-BASE                   | S1-07339395010 |   |   | 1 |  |  |
| 6 | 603 | S1-36390117700 | NUT,ACORN KIT #8-32 UNC                | S1-36390117700 | 4 | 4 | 4 |  |  |
| 6 | 604 | S1-02818868000 | WIREWAY,B CABINET                      | S1-02818868000 | 1 |   |   |  |  |
| 6 | 604 | S1-02818869000 | WIREWAY,C CABINET                      | S1-02818869000 |   | 1 |   |  |  |
| 6 | 604 | S1-02818870000 | WIREWAY,D CABINET                      | S1-02818870000 |   |   | 1 |  |  |
| 6 | 605 | S1-02436240000 | MTR,COND,1/4,850,CWLE,208/230V         | S1-02436240000 | 1 | 1 | 1 |  |  |
| 6 | 606 | S1-02631361000 | FAN,PROP,24",CW,3-25,1/2"BORE          | S1-02631361000 |   | 1 |   |  |  |
| 6 | 606 | S1-02634593000 | FAN,PROP,22",CW,3-30,1/2"BORE          | S1-02634593000 | 1 |   |   |  |  |
| 6 | 606 | S1-02647794000 | FAN,PROP,26 INCH,CW,3-24,1/2 INCH BORE | S1-02647794000 |   |   | 1 |  |  |

Suggested stocking items are shown with shaded item number.

## Section : MISCELLANEOUS

| Section | Callout | Replacement Part # | Description                             | Original Part # | YC2D18S B21S | YC2D24S B21S | YC2D24S B21SX | YC2D30S B21S | YC2D36S B21S |
|---------|---------|--------------------|---|-----------------|--------------|--------------|---------------|--------------|--------------|
| 8       | NS      | 6059295            | Screw Shoulder Hex-w 5/16 UNF L=1-1/2in | 6059295         | 4            | 4            |               | 4            | 4            |
| 8       | NS      | 6074817            | WIRING DIAGRAM - 5.5 X 8.5              | 6074817         |              |              | 1             |              |              |
| 8       | NS      | S1-01505113004     | COMPR,ROTARY,208/230-1-60,R-410A,POE    | S1-01505113004  |              |              | 1             |              |              |
| 8       | NS      | S1-02118381000     | FASTENER,PUSH-IN (M10)                  | S1-02118381000  |              |              | 2             |              |              |
| 8       | NS      | S1-02118396000     | SCREW,AB,#10 X 3/8 INCH,BLACK (M25)     | S1-02118396000  |              |              | 41            |              |              |
| 8       | NS      | S1-02134845000     | BOLT,COMPR,SHOULDER,5/16 X 2-3/4 INCH   | S1-02134845000  |              |              | 3             |              |              |
| 8       | NS      | S1-02322460000     | VALVE,BASE,3/4 INCH                     | S1-02322460000  |              |              | 1             |              |              |
| 8       | NS      | S1-02527642000     | CABLE STRAP,BLACK                       | S1-02509607000  | 2            | 2            | 2             | 2            | 1            |
| 8       | NS      | S1-02546848000     | SWITCH,PRESSURE,HIGH                    | S1-02546848000  |              |              | 1             |              |              |
| 8       | NS      | S1-02551748000     | HARNESS,COMPRESSOR W/PLUG               | S1-02551748000  |              |              | 1             |              |              |
| 8       | NS      | S1-02816476001     | BADGING,YORK,OD,ML (M24)                | S1-02816476001  | 1            | 1            | 1             | 1            | 1            |
| 8       | NS      | S1-02817125000     | DAMPENER,RUBBER,DISCHARGE LINE          | S1-02817125000  |              |              | 1             |              |              |
| 8       | NS      | S1-02818407000     | GROMMET,COMPRESSOR                      | S1-02818407000  |              |              | 3             |              |              |
| 8       | NS      | S1-37349385001     | COIL,OD FORMED ASSEM,29IN,A-BASE        | S1-37349385001  |              |              | 1             |              |              |
| 8       | NS      | S1-6109460         | FILTER-DRIER,LIQUID,3/8 ODF,DCL 053S    | S1-6109460      | 1            | 1            | 1             | 1            | 1            |
| 8       | 526     | S1-02118396000     | SCREW,AB,#10 X 3/8 INCH,BLACK (M25)     | S1-02118396000  | 41           | 41           |               | 41           | 48           |
| 8       | 526     | S1-02118397000     | SCREW,AB,#10 X 3/4",BLACK (M25)         | S1-02118397000  | 8            | 8            | 8             | 8            | 8            |

| Section | Callout | Replacement Part # | Description                             | Original Part # | YC2D42S B21S | YC2D48S B21S | YC2D60S B21S |  |  |
|---------|---------|--------------------|---|-----------------|--------------|--------------|--------------|--|--|
| 8       | NS      | S1-02527642000     | CABLE STRAP,BLACK                       | S1-02509607000  | 2            | 2            | 2            |  |  |
| 8       | NS      | S1-02816476001     | BADGING,YORK,OD,ML (M24)                | S1-02816476001  | 1            | 1            | 1            |  |  |
| 8       | NS      | S1-6109460         | FILTER-DRIER,LIQUID,3/8 ODF,DCL 053S    | S1-6109460      | 1            | 1            | 1            |  |  |
| 8       | NS      | 5833605            | Screw Shoulder Hex-w 5/16 UNF L=1.715in | 5833605         | 4            | 4            | 4            |  |  |
| 8       | 526     | S1-02118396000     | SCREW,AB,#10 X 3/8 INCH,BLACK (M25)     | S1-02118396000  | 48           | 48           | 48           |  |  |
| 8       | 526     | S1-02118397000     | SCREW,AB,#10 X 3/4",BLACK (M25)         | S1-02118397000  | 8            | 8            | 8            |  |  |

Suggested stocking items are shown with shaded item number.

## Section : WIRING DIAGRAMS / VFD PARAMETERS

| Section | Callout | Replacement Part # | Description                | Original Part # | YC2D18S B21S | YC2D24S B21S | YC2D24S B21SX | YC2D30S B21S | YC2D36S B21S |
|---------|---------|--------------------|----------------------------|-----------------|--------------|--------------|---------------|--------------|--------------|
| 9       | 9       | 6074817            | WIRING DIAGRAM - 5.5 X 8.5 | 6074817         | 1            | 1            |               | 1            | 1            |

| Section | Callout | Replacement Part # | Description                | Original Part # | YC2D42S B21S | YC2D48S B21S | YC2D60S B21S |  |  |
|---------|---------|--------------------|----------------------------|-----------------|--------------|--------------|--------------|--|--|
| 9       | 9       | 6074817            | WIRING DIAGRAM - 5.5 X 8.5 | 6074817         | 1            | 1            | 1            |  |  |

Suggested stocking items are shown with shaded item number.

## Section : HARNESES

| Section | Callout | Replacement Part # | Description     | Original Part # | YC2D18S B21S | YC2D24S B21S | YC2D24S B21SX | YC2D30S B21S | YC2D36S B21S |
|---------|---------|--------------------|-----------------|-----------------|--------------|--------------|---------------|--------------|--------------|
| 10      | 10      | S1-02552092000     | HARNESS,WIRE,AC | S1-02552092000  | 1            | 1            | 1             | 1            | 1            |

| Section | Callout | Replacement Part # | Description     | Original Part # | YC2D42S B21S | YC2D48S B21S | YC2D60S B21S |  |  |
|---------|---------|--------------------|-----------------|-----------------|--------------|--------------|--------------|--|--|
| 10      | 10      | S1-02552092000     | HARNESS,WIRE,AC | S1-02552092000  | 1            | 1            | 1            |  |  |

Suggested stocking items are shown with shaded item number.

Model series repair parts lists are generated for each model number from the last production bill of material.

Major components and suggested stocking items are shown with shaded item number.

Repair parts lists are subject to change without notice.

TO ORDER AUTHORIZED FACTORY REPLACEMENT PARTS - Contact your Source1 HVAC Parts Distributor or visit our website at [www.Source1Parts.com](http://www.Source1Parts.com) for a Distributor and Dealer listing.

Copyright © 2024 by Johnson Controls Inc. All rights reserved.

Johnson Controls Unitary Products